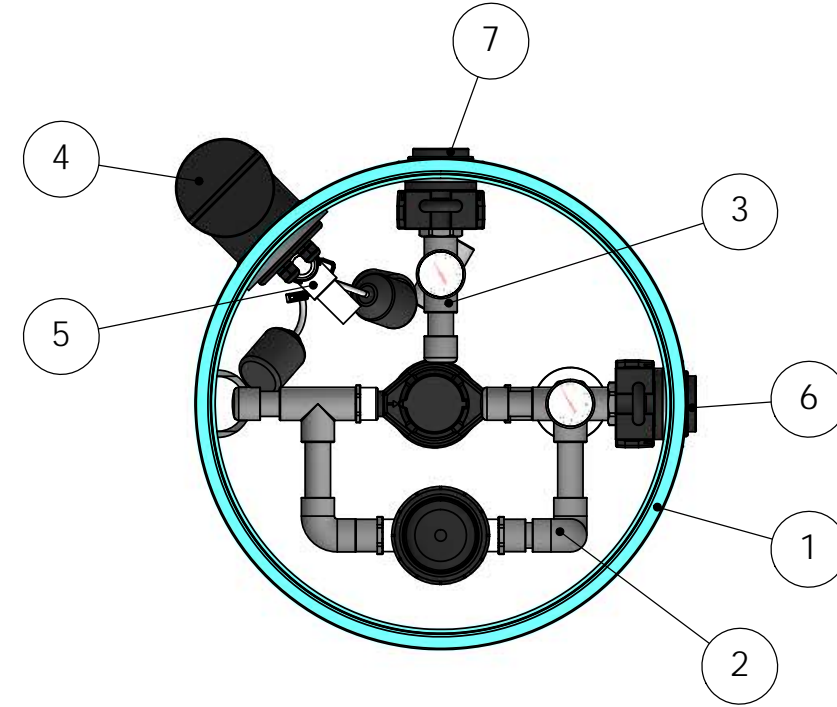


NO.	DESCRIPTION
1	24 IN RISER ASSEMBLY
2	REMOVABLE MAIN CARTRIDGE
3	REMOVABLE RETURN CARTRIDGE
4	SPLICE BOX
5	FLOAT TREEE ***NOT SUPPLIED WITH ASSEMBLY***
6	1.5 IN FIPT DISCHARGE CONNECTION
7	1.5 IN FIPT RETURN CONNECTION
8	PUMP ***NOT SUPPLIED WITH ASSEMBLY***



NO.	INSTALLATION INSTRUCTIONS
1	ATTACH RISER ASSEMBLY TO TANK RISER ADAPTER USING APPROPRIATE EPOXY
2	PREPARE PUMP DISCHARGE PIPING BY CUTTING TO A LENGTH THAT ALLOWS PUMP TO HANG FREELY WITH CLEARANCE BETWEEN THE BOTTOM OF THE PUMP AND TANK
3	COMPLETE THE PUMP TO MAIN CARTRIDGE ASSEMBLY AND INSTAL INTO PLACE WITH SPECIAL CARE THAT O-RING REMAINS IN PLACE
4	DRILL RETURN ORICE PER DESIGNER INSTRUCTIONS OPTIONAL: CUT PIPE NEAR TOP AND INSTAL THROTTLING BALL VALVE
5	ASSEMBLE RETURN CARTRIDGE AND INSERT IN PLACE
6	INSERT FLOAT SWITCHES
7	COMPLETE PUMP AND FLOAT WIRING
8	COMPLETE EXTERNAL CONNECTIONS AND COMMISION PER DESIGNER INSTRUCTIONS

AFS DSRR24
DRIP HEADWORKS SYSTEMS
INSTRUCTIONS

REV NO.	DATE	SCALE	DRAWN BY	CHECKED BY
11/13/2020		1:10	RJK	

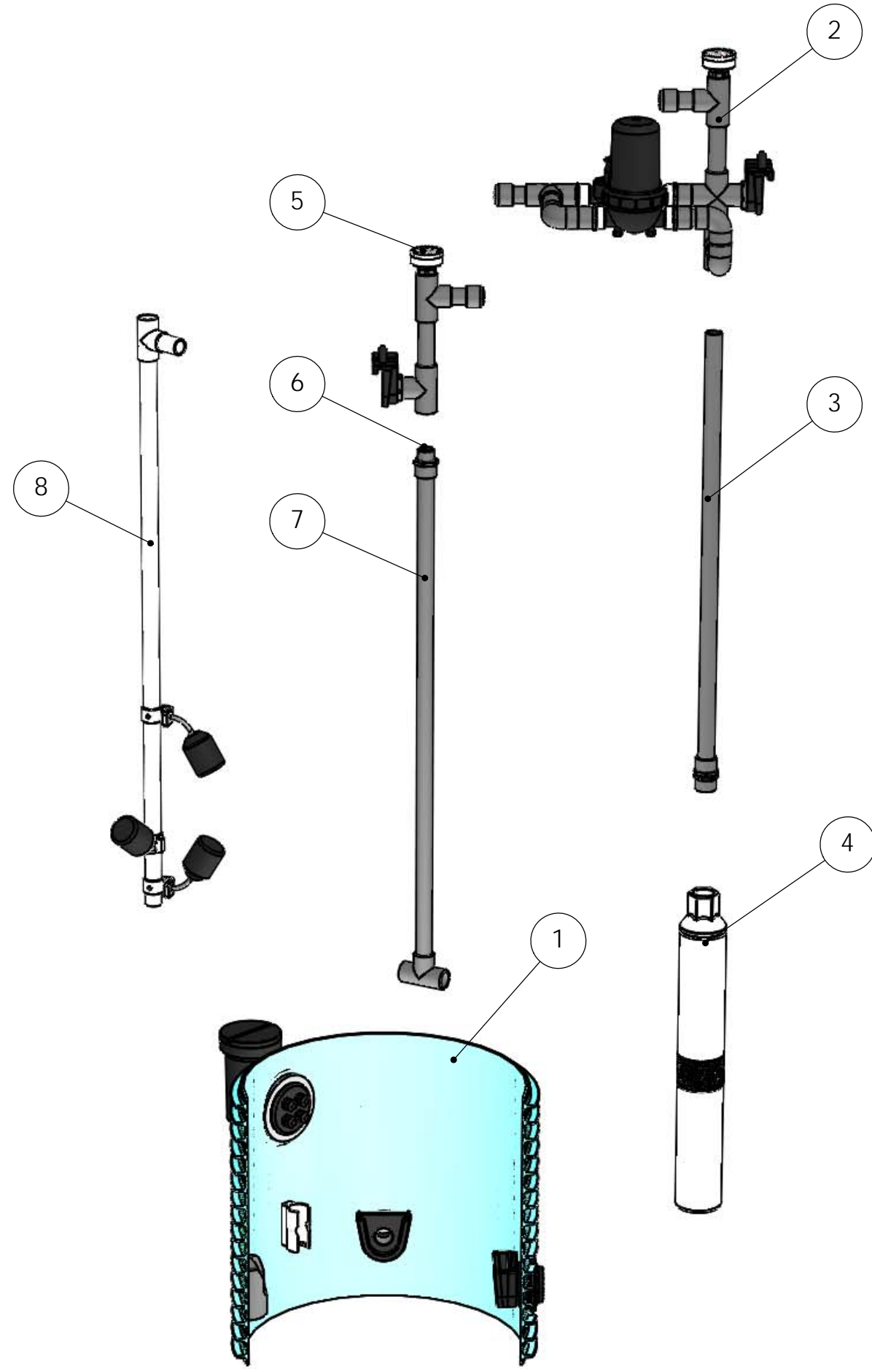
AFS
AUTOMATED FLOW SYSTEMS

625 BEST AVE
COEUR D'ALENE, ID 83814
PHONE 208.664.2133

4444 S YELLOWSTONE HWY
IDAHO FALLS, ID 83402
208.529.6868

4101 E BROADWAY
SPOKANE, WA 99202
PHONE 509.534.5616

WWW.RCWORST.COM



NO.	DESCRIPTION
1	RISER ASSEMBLY
2	REMOVABLE MAIN CARTRIDGE ASSEMBLY
3	PUMP DISCHARGE PIPING
4	PUMP ***NOT SUPPLIED WITH ASSEMBLY***
5	REMOVABLE RETURN CARTRIDGE ASSEMBLY
6	ORIFICE INSERT ***DRILL TO SIZE***
	OPTIONAL: THROTTLING BALL VALVE
7	DIFFUSER ASSEMBLY
8	FLOAT SWITCHES ***NOT SUPPLIED WITH ASSEMBLY***

REV. NO.	DATE	SCALE	DRAWN BY	CHECKED BY
	11/13/2020	1:10	RJK	


AIS
 AUTOMATED FLOW SYSTEMS
 625 BEST AVE
 COEUR D'ALENE, ID 83814
 PHONE 208.664.2133
 4444 S YELLOWSTONE HWY
 IDAHO FALLS, ID 83402
 208.529.6868
 4101 E BROADWAY
 SPOKANE, WA 99202
 PHONE 509.534.5616
 WWW.RCWORST.COM

AFS DSRR24
 DRIP HEADWORKS SYSTEMS
 COMPONENTS